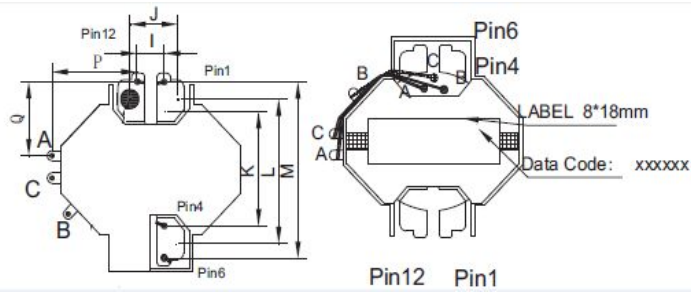


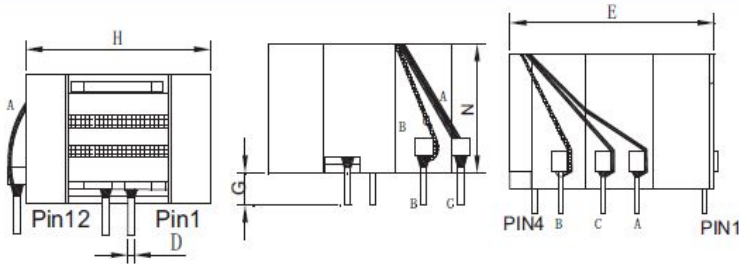
CUSTOMER TERMINAL	ROHS	Lead(Pb)-free
	YES	YES



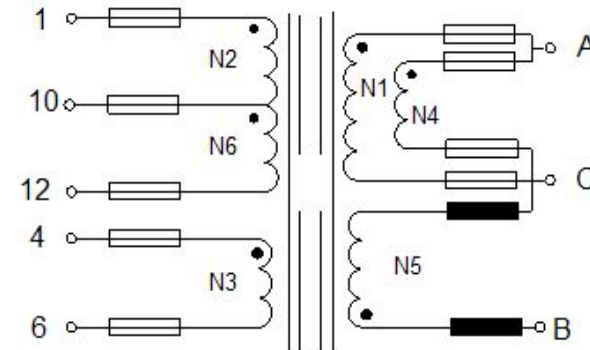
1.Mechanical Dimensions



H	29.0	MAX
E	26.0	MAX
N	20.0	MAX
G	3.5	±0.5
I	3.6	±0.3
J	7.2	±0.3
K	14.4	±0.4
L	18.0	±0.4
M	21.6	±0.4
P	12.6	±0.4
Q	7.9	±0.3
D	0.6	±0.1



2.Schematic Diagram



3.Material List

Core:FW44 RM8
 Bobbin:FWB0804(6+6PIN)
 Wire:2UEW TIW
 Copper foil: 0.025t*5.0/6.0mm
 Operating Temperature: -30 to115 °C

4.Electrical Specification

Inductance : L(1-12):300uH±5% 100KHZ , 1.0V
 Leakage inductance: 10uH MAX 100KHZ , 1.0V
 DCR : (12-1)=0.35Ω MAX
 Hi-Pot:P-S: AC 60Hz 4000V 1mA 3S
 S-CORE:AC 60Hz 4000V 1mA 3S

REV.	DATE	 Convention Placement	DRW.	Drawing Title: TRANSFORMER	Part No:
0	00/00		CHK.		FWPTRM8V301J
			APP.		Customer P/N
ROHS		www.ferriwo.com			